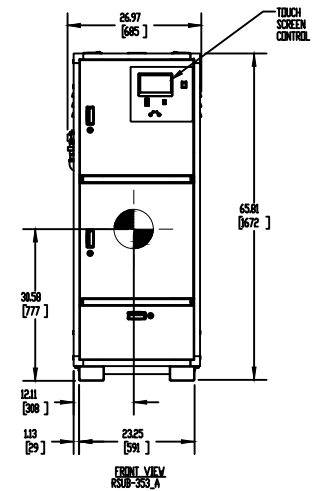
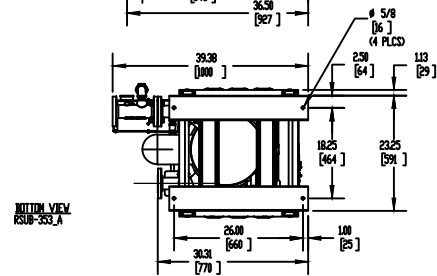
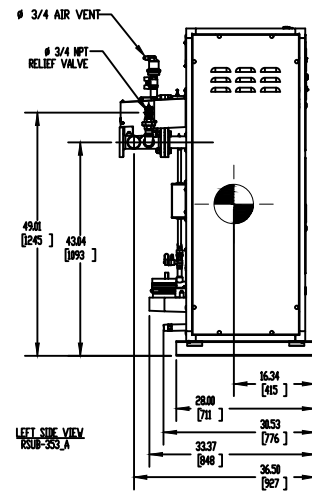
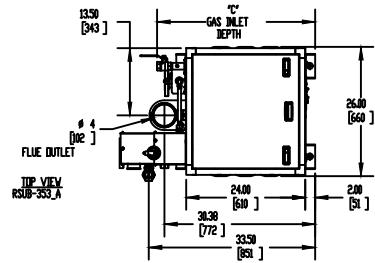


GAS OPTION	"N"	"W"	"D"
NG	1 NPT	21.70	24.82
LP	3/4 NPT	21.70	24.21



NOTES:

1.  $\ominus$  SYMBOL INDICATES CENTER OF GRAVITY.
2. DIMENSIONS ARE NOMINAL AND SUBJECT TO MANUFACTURING VARIATION AND SHOULD NOT BE USED FOR "ROUNDBING IN".
3. ALL DIMENSIONS ARE INCHES (mm).